

CASAMBI

CASAMBI SYSTEM FUNCTIONS

OPERATE ON BUTTONS

All four switching points can be individually configured with light control functions via the Casambi app.



BATTERY-FREE

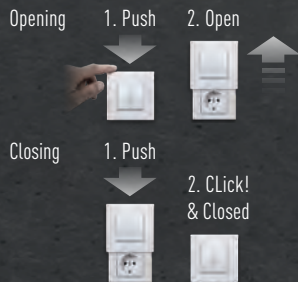
RADIO TECHNOLOGY

Each keystroke generates the radio transmission to the Casambi system energy - without any batteries.



PUSH TO OPEN

The Hidden Socket | Versteckdose® with push-to-open opening support for the movable radio switch.



Casambi Switch with mounting frame



Casambi switch with cover frame



Casambi Switch with connecting frame



Casambi Lamp E27 Smart White

PAGE 1

PAGE 3



Casambi switch with Hidden Socket | Versteckdose® for plug type F



Casambi switch with Hidden Socket | Versteckdose® for plug type J



Casambi switch with Hidden Socket | Versteckdose® for plug type E



Casambi switch with Hidden Socket | Versteckdose® for plug type G



PAGE 2

SPECIFICATIONS

Casambi switch

Power supply: battery-free, with integrated energy converter
 Frequency band: 2,400 MHz,
 Radio range: 100 m free field, 10 m indoor
 Radio standard: Bluetooth Low Energy BLE,
 Functionality: 4 configurable switching points
 Lifetime: 50,000 clicks
 Commissioning: with NFC (ISO 14443) and
 with app (Android / iOS)

Frame

Material: plastic, alpine white glossy
 (RAL9010)(RAL9010)



OPERATE CASAMBI AT BUTTONS

Configuring button functions

The four switching points are configured on a mobile device using the Casambi app. The Casambi app is available for download free of charge for Android or iOS.

- On/Off Switching
- Dimming
- Colour change
- Calling up light scenes

Controlling Casambi lamps

The Casambi switch of the Hidden Socket | Versteckdose® controls lamps of the Casambi lighting system via Bluetooth.



CASAMBI RADIO SWITCH

WITH MOUNTING FRAME

Mounting on a flush-mounted box - in addition to simple adhesive mounting on suitable ground, also for screw mounting on a flush-mounted box, after removing a wired switch.

Simply a good switch with a flat wall mounting frame, for all applications where the combination with a socket is not important. The big advantage with this Casambi wireless switch is its free placement. Because no matter where you need a place to switch, this switch can be placed anywhere with adhesive.

WITH COVER FRAME

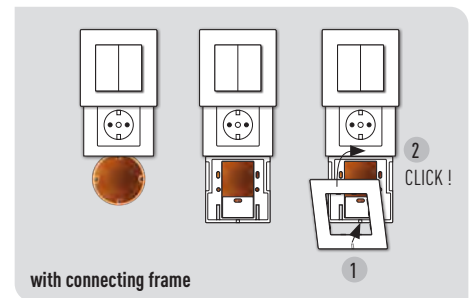
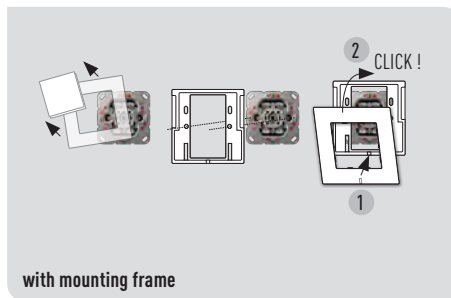
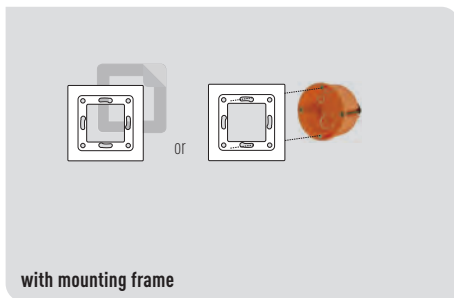
Surface mounting over an existing switch - without interfering with the electrical installation.

This switch with a mounting frame can be installed over an existing wired switch without having to intervene in the electrical installation. Only the plastic frame and the rocker elements of the existing switch are removed and only the switch insert is left in the flush-mounted box. This can then simply be covered with the cover frame and the radio switch. In this way, a Casambi lamp can be switched and additionally controlled at the same switching location as before, without the need for an electrician for the conversion.

WITH CONNECTING FRAME

Mounting of a second switch below the Hidden Socket | Versteckdose® - as a switch with connecting frame to cover another flush-mounted box

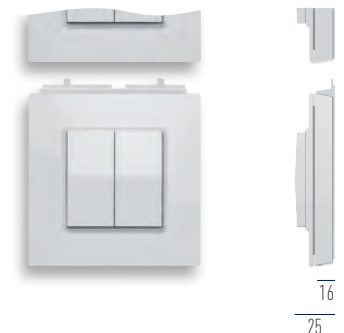
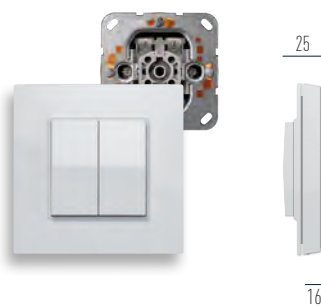
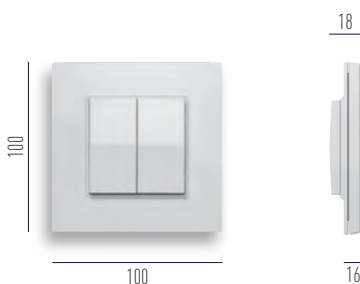
If a Hidden Socket | Versteckdose® is mounted on two flush-mounted boxes, this connecting frame with a Casambi radio switch is used to cover the second flush-mounted box and to install a second radio switch. The connecting frame is precisely aligned and connected to the Hidden Socket | Versteckdose® by means of a plug-in connection. This makes it possible to convert a switch-socket installation, for example, to two Casambi wireless switches arranged one below the other and a socket.



Item no. RS07-03000000
 Switch with mounting frame

Item no. RS09-03000000
 Switch with mounting frame

Item no. RS10-03000000
 Switch with connecting frame



HIDDEN SOCKET | VERSTECKDOSE® – RETROFITTING AN EXISTING LIGHT SWITCH

Retrofit: Conversion of an existing light switch to a socket outlet

In order to be able to use the cables of an existing light switch for retrofitting an additional socket outlet, these two installation requirements must be met at the light switch to be replaced:

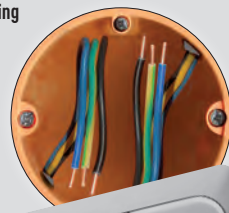
1. a flush-mounted socket with a depth of at least 47 mm
2. a form of wiring that is suitable for a protective contact socket.

1. flush-mounted box with min. 47 mm depth

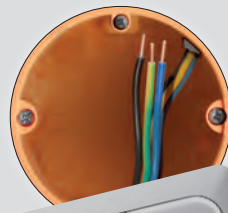


2. types of wiring

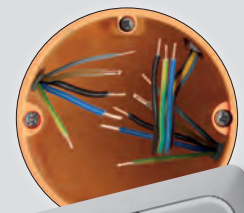
suitable



2 CABLES EACH WITH 3 - 5 WIRES
– CAN BE RETROFITTED DIRECTLY!

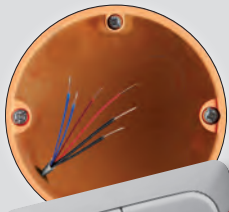


1 CABLE WITH 3 - 5 WIRES
– CAN BE RETROFITTED WITH SMALL ADAPTATIONS.



> 2 CABLES EACH WITH 3 - 5 WIRES
– CAN BE RETROFITTED. HOW? ASK YOUR ELECTRICIAN!

not suitable



DOORBELL WIRE INSTEAD OF POWER CABLE – NOT SUITABLE FOR 230 V!



POWER CABLE WITH 2 WIRES – PROTECTIVE CONDUCTOR MISSING!



Please note:
The installation requires a qualified electrician!

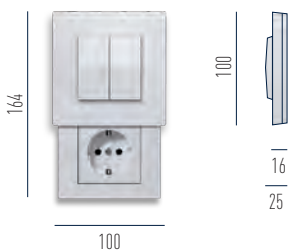
Find further informations on installation requirements on:
www.hiddensocket.com/support

HIDDEN SOCKET | VERSTECKDOSE® WITH CASAMBI RADIO SWITCH

HIDDEN SOCKET | VERSTECKDOSE® FOR PLUG TYPE F (DE)

Connected load: 220 - 250 V AC, 50 - 60 Hz, 16 A, Contact hazard protection: integrated intervention protection, Housing: plastic, alpine white (RAL9010) glossy, from AS series (Jung), Mounting: in flush-mounted box, Conforms to standard: DIN 49073 (60 mm opening, 46 mm depth), Degree of protection: IP20, for indoor use, Plug type: type F, with double earthing, Certificates: CE, RoHS, VDE0620-1, EN60950-1

Item no. **VS02-03010000**
Socket insert for plug type F (DE)



HIDDEN SOCKET | VERSTECKDOSE® FOR PLUG TYPE J (CH)

Connected load: 250 V AC, 50 - 60 Hz, 10 A, Contact hazard protection: integrated increased contact hazard protection, Enclosure: plastic, alpine white (RAL9010) glossy, from AS series (Fa. Jung), mounting: in device box according to DIN 49073, complete with support ring, for screw mounting (not suitable for mounting in surface-mounted caps), with spring terminals for conductors up to 2.5 qmm, conformity to standards: SEV 1011-1998/IEC 884-1, degree of protection: IP20, for indoor use, plug type: for type J, T13 with double earthing

Item no. **VS02-03040000**
Socket insert for plug type J (CH)



HIDDEN SOCKET | VERSTECKDOSE® FOR PLUG TYPE E (FR / BE)

Connected load: 250 V AC, 50 - 60 Hz, 16 A Degree of protection: IP20, for indoor use, Contact hazard protection: integrated increased contact hazard protection, Housing: plastic, alpine white (RAL9010) glossy, from series AS (Fa. Jung), Mounting: with spring terminals for rigid untreated flexible conductors up to 2.5 qmm, Conforms to standard: CEE-Publ. 7, Normblatt V, Plug type: type E, 2-pole with earth pin

Item no. **VS02-03050000**
Socket insert for plug type E (F / BE)



HIDDEN SOCKET | VERSTECKDOSE® FOR PLUG TYPE G (GB)

Connected load: 250 V AC, 50 - 60 Hz, 13 A, Contact hazard protection: integrated increased contact hazard protection, Housing: plastic, alpine white (RAL9010) glossy, from Series AS (Jung), Mounting: with screw terminals for rigid and flexible conductors up to 4 qmm acc. to BS 1363-1, Conforms to standard: British Standard 1363, Degree of protection: IP20, for indoor use, Plug type: type G, 2-pole with earth pin

Item no. **VS02-03060000**
Socket insert for plug type G (GB)



CASAMBI LAMPE

Control Casambi lamp with Casambi switch or Casambi app

With this smart LED lamp and the Casambi app, you can control your individual light according to time of day and purpose simply on your smartphone. The lamp is immediately ready for use and requires neither an internet connection nor a central unit (bridge). The lamp can be easily controlled via Bluetooth and operated on the Casambi switch. You can combine an unlimited number of lamps into a Casambi lighting system and switch and control them individually or in groups.

CASAMBI LAMP E27 SMART WHITE (CARUS CONNECT LAMP)

Operating voltage: 220-240 V, Lampholder: E27, Colour temperature: 2,200 K - 4,500 K, Dimmable: yes, Light control: with free Casambi app, Energy consumption: 8 W, Energy efficiency class: A+, Useful luminous flux: 560 lm, Beam angle: 150°, Switching number: 25.000, Average life: 25,000 h, IP rating: IP50, Colour rendering index: 95, Product dimensions: 60 x 60 x 108 mm, Weight: 100 g, Model number: 1016455, Manufacturer: Carus

Item no. VZ00-03000009

Casambi Lamp E27 Smart White



Service

Tel. +49 (0) 4194 9881150 (free of charge from a German landline)
Mail info@hiddensocket.com
Shop www.hiddensocket.com

TCS TürControlSysteme AG

Geschwister-Scholl-Str. 7
D-39307 Genthin
Germany

The Hidden Socket | Versteckdose®

is a trademark of TCS AG.
Patented under EPA no. 3079209

CASAMBI, © Casambi and the related logo is a registered trademark of Casambi Technologies Oy / Inc., Finland, 2019.